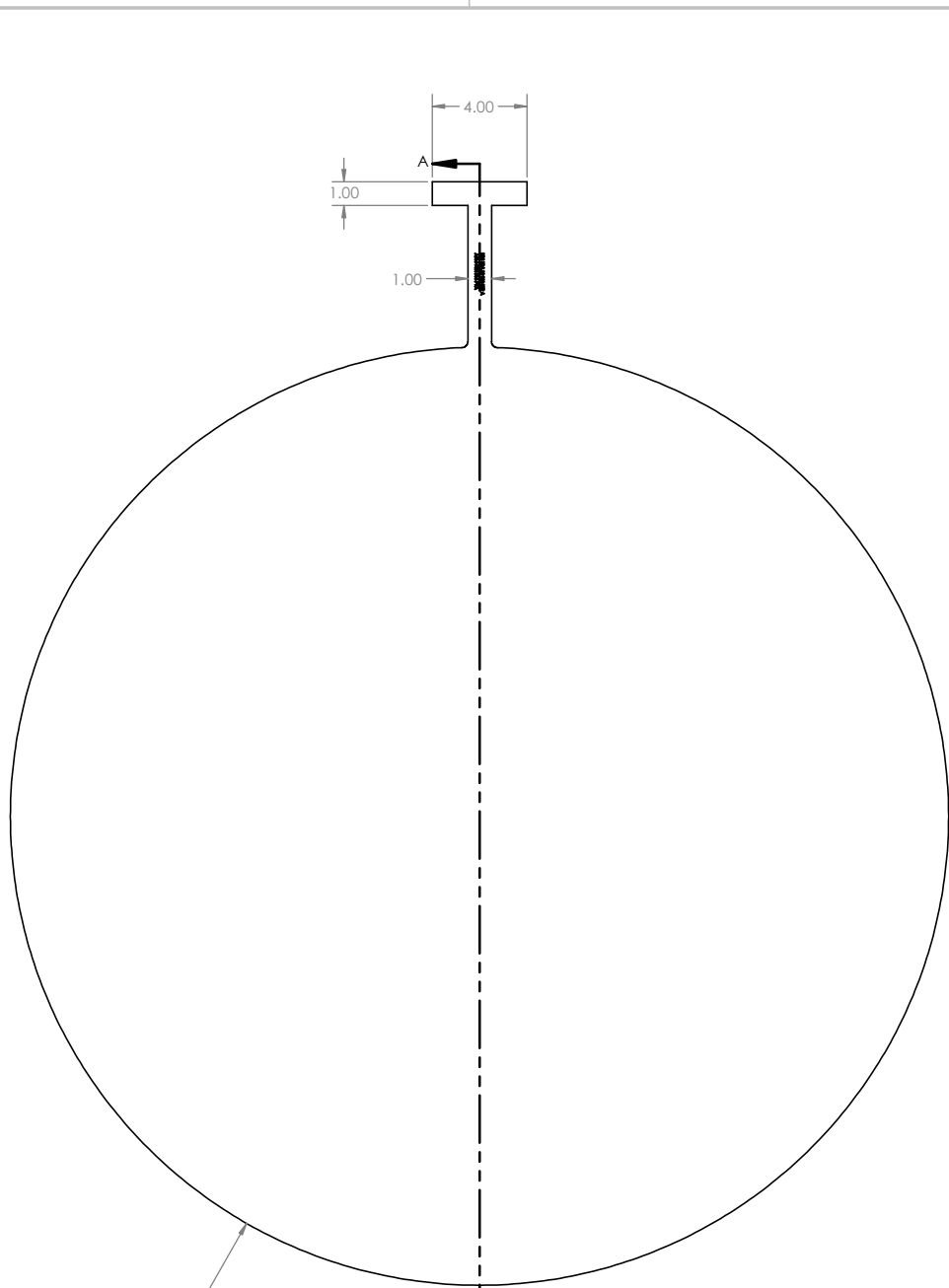


4

3

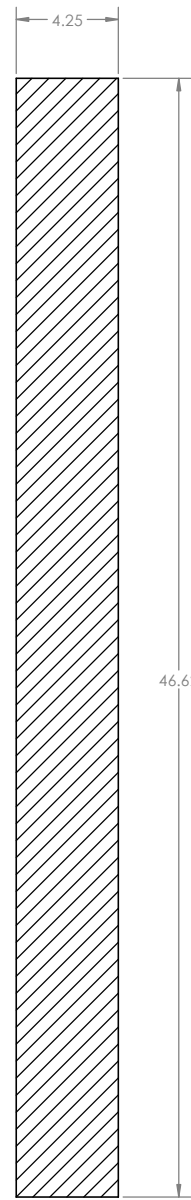
2

1

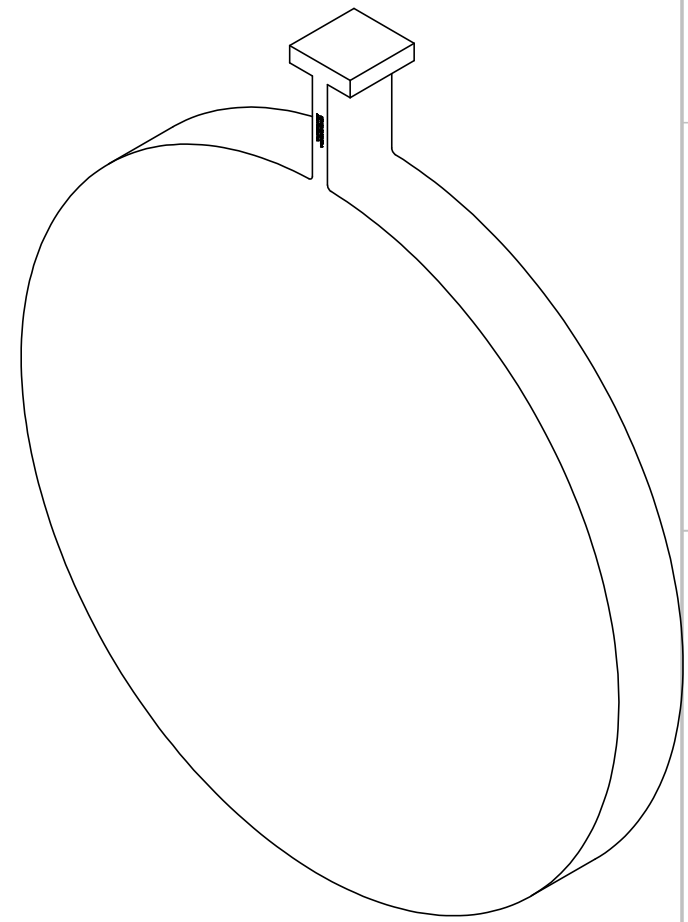



Ø39.62

A



SECTION A-A



DO NOT SCALE PRINT		UNLESS OTHERWISE SPECIFIED: OUTSIDE DIAMETER: (+/-0.12) INSIDE DIAMETER: (+/-0.12) THICKNESS TOLERANCES (-ZERO +0.25) ALL UNITS IN INCHES OR POUNDS		<b>HYDROBLIND</b> <b>-ISOLUTIONS</b>
 THIRD ANGLE PROJECTION		SHEET 1 OF 1		
MATERIAL: CUSTOMER REQUESTED		DATE: 06/16/2020		DRAWING TITLE: 30 CL 900 SER A PADDLE BLIND T HANDLE
		DIMENSIONS & TOLERANCES TO BE IN ACCORDANCE WITH ASME B18.47		
SCALE 1:4	SIZE <b>C</b>	DRAWING NUMBER: 9PBM01	WEIGHT 1,511 lb	REV 00

4

3

2

1

D

D

C

C

B

B

A

A